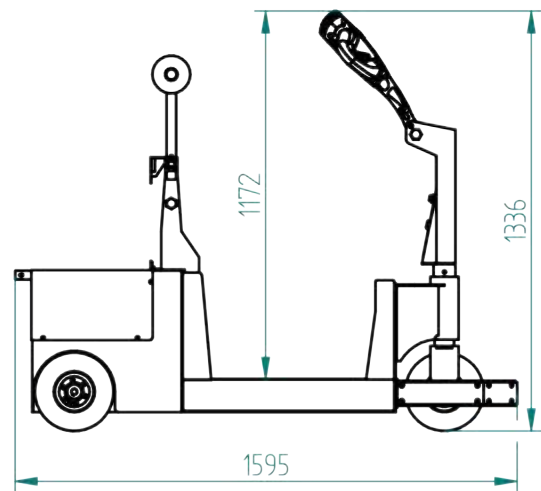
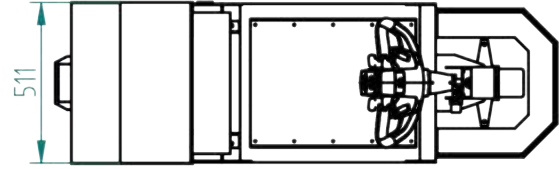




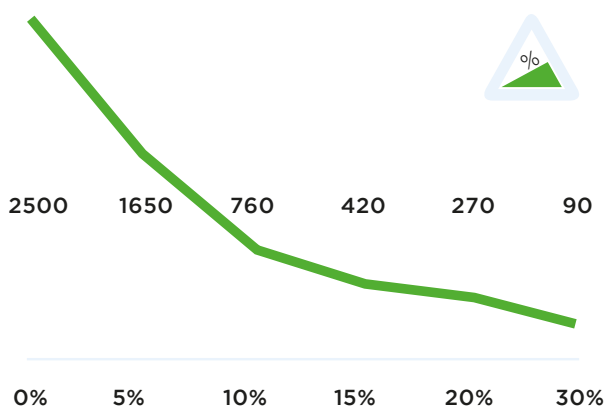
Specifications T2500-PLATFORM

| | |
|------------------|------------------------|
| Frame | Steel, powder coated |
| Drive | 24V DC, 800W, 170 rpm |
| Weight | 300 kg |
| Weight trailer | 2500 kg |
| Battery | Built in |
| Speed | Max. 8 km/h |
| Drive wheels | Full rubber ø250x80 mm |
| Width | 511mm |
| Length | 1595mm |
| Adze height | 1336mm |
| Folded | N/A |
| Noise level | 68,5 dB |
| To use from | -40 °C / 70 °C |
| Protection class | Machine IP44 |

Dimensions T2500-PLATFORM



Pulling power T2500-PLATFORM (in kg)



*Measured with a trolley with 2 swivelwheels and 2 fixed castors. Wheel diameter: 160mm

Standard T2500-PLATFORM



Standard parts T2500-PLATFORM

Battery 12V-75A



Item number:
M2102

**Built-in charger
24V-10A with feed-
back**



Item number:
M2134

**Full-rubber drive
wheel, black**



Item number:
M0248

**2 programmable
speeds**



Item number:
Standardpart 3

Standard parts T2500-PLATFORM

**Engine 800W
170RPM BRAKE
6911488E**



Item number:
M2517

**LED battery indicator
LBF318-24V**



Item number:
M0123

Options T2500-PLATFORM



**SURCH driving wheel
full rubber nm GREY**

Article number:
OPT0161



**SURCHARGE wheel
full rubber non-mar-
king**

Article number:
OPT0162



**SURCHARGE driving
wheel non-marking
YELL**

Article number:
OPT0163



**SURCHARGE wheel
non-marking YEL-
LOW**

Article number:
OPT0164



Horn 90dB

Article number:
OPT0045



Horn

Article number:
OPT0055



Horn 103 dB

Article number:
OPT0059



**Emergency stop
complete**

Article number:
OPT0063



**Strobelight cast iron
tiller head**

Article number:
OPT0076



**Safety fender for
steering wheel**

Wheel Shield

Article number:
OPT0079



**LED lighting white
incl switch**

Article number:
OPT0105



**Strobelights in front
of Scooter**

Article number:
OPT0118

Options T2500-PLATFORM



Strobelight on pole T2500

Article number:
OPT0119



Mirror with telescopic arm (left)

Article number:
OPT0132



Mirror with telescopic arm right-hand

Article number:
OPT0133



Blue Safety spot

Article number:
OPT0251



Acoustic signal while driving

Article number:
OPT0253



Acoustic signal driving backwards

Article number:
OPT0254



Light Blue Spot Safety light

Article number:
M0961



On/off switch machine

Article number:
OPT0016



hour counter complete

Article number:
OPT0056



Antistatic strip

Article number:
OPT0058



Code lock

Article number:
OPT0068



LED lighting red incl switch

Article number:
OPT0093

Options T2500-PLATFORM



**Front bumper
T2500-Plat-
form+Scooter**

Article number:
OPT0125

Document holder



Article number:
OPT0127

**Preparation electric
hook**



Article number:
OPT0143

**Ignition key unequal
key**



Article number:
OPT0145

**Ignition key equal
key**



Article number:
OPT0146

**Ignition key under
larger tiller head**



*Unequal key. Only with
OPT0171*

Article number:
OPT0147



**Ignition key under
larger tiller head**

*Equal key. Only with
OPT0171*

Article number:
OPT0148

**Customized program-
ming**



Article number:
OPT0170

Larger Tiller-Head



With 6 switch positions

Article number:
OPT0171

**Programmer for Ital-
sea**



Article number:
D0003

**Charging station incl.
1 battery pack**



Incl. 1 Accupack

Article number:
OPT0071

**U-Frame for waste
container 1000/1100L**



Article number:
OPT0088

Options T2500-PLATFORM



Adaptor fo 2 wheel bin's

Article number:
OPT0151



Folding Hook, diameter 16

Article number:
H0128-D16



Folding Hook, diameter 20

Article number:
H0128-D20



Folding Hook, diameter 25

Article number:
H0128-D25



Folding Hook, diameter 32

Article number:
H0128-D32



Folding Hook, diameter 35

Article number:
H0128-D35



Basic hook

Article number:
H7070



Basic hook High

Article number:
H7080



Hook Straightener

Article number:
OPT0012



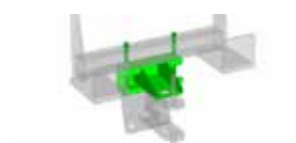
Electric lifting module for Hooks

Article number:
OPT0050



Folding hook for flower trolleys

Article number:
OPT0099



Support for exchangeable hook

Article number:
OPT0122

Options T2500-PLATFORM



Electrical locking module for hook

Article number:
OPT0129



Automatic trailer coupling

Article number:
OPT0200



Basemodule, spring, bolt en counterplate

Article number:
OPT0203



Locking Module manual

Article number:
OPT0221



Jacket Movexx size M

Article number:
OPT0197



Jacket Movexx size L

Article number:
OPT0198

Jacket Movexx size XL



Article number:
OPT0199



Movexx Parking label

Article number:
OPT0245



Movexx International B.V.

Wiltonstraat 61-63

3905 KW Veenendaal

Tel +31 (0)318 51.99.00

Fax +31 (0)318 50.80.20

E-mail info@movexx.nl