

**moveXX**

driven by brain power



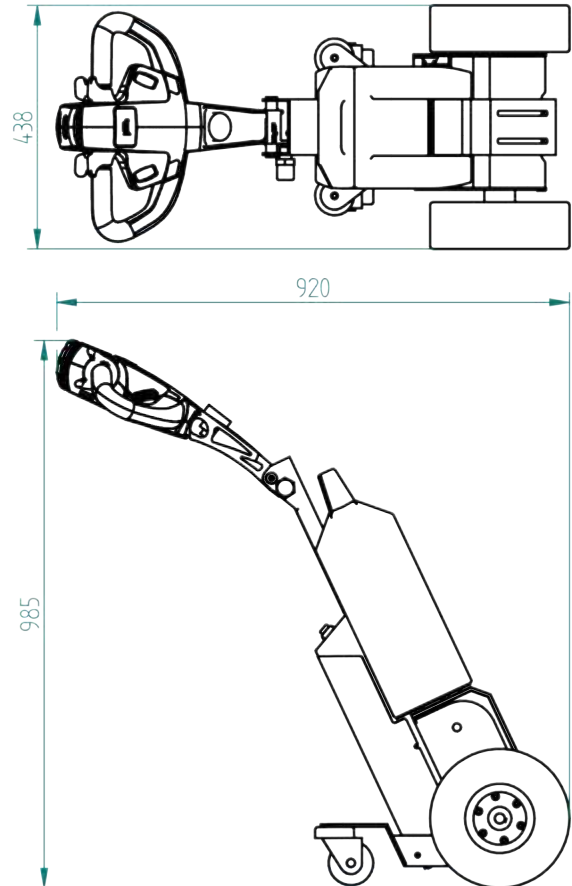
**DATASHEET**  
**Movexx T1000**



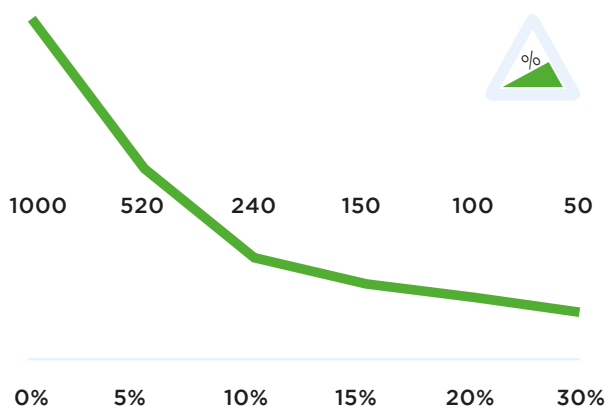
## Specifications T1000

<b>Frame</b>	Steel, powder coated
<b>Drive</b>	24V DC, 300W, 100 rpm
<b>Weight</b>	43 kg (incl. accu)
<b>Weight trailer</b>	Max. 1000 kg
<b>Battery</b>	Exchangable batterypack
<b>Speed</b>	Max. 5 km/h, freely programmable
<b>Drive wheels</b>	Full rubber ø250x80 mm
<b>Width</b>	438 mm
<b>Length</b>	920mm
<b>Adze height</b>	750-985 mm (variable)
<b>Folded</b>	831 mm
<b>Noise level</b>	63,8 dB
<b>To use from</b>	-40 °C / 70 °C
<b>Protection class</b>	Machine IP44

## Dimensions T1000



## Pulling power T1000 (in kg)



*\*Measured with a trolley with 2 swivelwheels and 2 fixed castors. Wheel diameter: 160mm*

## Standard T1000



## Standard parts T1000

**Charger 24V 5A incl. charging cable**



Item number:  
OPT0009

**Accu maintenance-free AGM 24V-20Ah, 6018**



Item number:  
OPT0110-RAL6018

**Full-rubber drive wheel, black**



Item number:  
M0248

**Adjustable tillerhead**



Item number:  
Standardpart 1

**Safety switch**



Item number:  
Standardpart 2

**2 programmable speeds**



Item number:  
Standardpart 3

## Standard parts T1000

**Motor T1000, without brake**



Item number:  
M1032

**LED battery indicator LBF318-24V**



Item number:  
M0123

## Options T1000



**SURCHARGE Engine  
420W-140RPM+BRA-  
KE**

Article number:  
OPT0030



**SURCHARGE Engine  
530W-170RPM+BRA-  
KE**

Article number:  
OPT0031

**Extra plug to rechar-  
ge the battery**



Article number:  
OPT0001

**Charger 24V 5A incl.  
charging cable**



Article number:  
OPT0009

**Battery Lithium-Li-  
FePO4 25,6V-36Ah  
GREEN**



Article number:  
OPT0106

**Battery Lith. instead  
Battery AGM GREEN**



*Including charger*

Article number:  
OPT0107



**Accu mainte-  
nance-free AGM  
24V-20Ah, 6018**

Article number:  
OPT0110-RAL6018



**SURCH driving wheel  
airtire nonmark GREY**

*SURCHARGE driving  
wheel airtire non-marking  
GREY*

Article number:  
OPT0156



**SURCH drive wheel  
airtire foamed 2b  
BLAC**

Article number:  
OPT0158



**SURCH driving wheel  
full rubber nm GREY**

Article number:  
OPT0161



**SURCHARGE driving  
wheel non-marking  
YELL**

Article number:  
OPT0163



**Surcharge Drive  
wheel Ø300 Rubber  
Nonm.**

Article number:  
OPT0256

## Options T1000



### manual brake release

*manual brake release*

Article number:  
OPT0003



### Electromagnetic parking brake T1000

Article number:  
OPT0004



### Horn 90dB

Article number:  
OPT0045



### Horn

Article number:  
OPT0055



### Horn 103 dB

Article number:  
OPT0059



### Emergency stop complete

Article number:  
OPT0063



### Strobelight cast iron tiller head

Article number:  
OPT0076



### Bellybutton 2-step reset

*After bellybutton use off/on switch is necessary*

Article number:  
OPT0168



### Acoustic signal while driving

Article number:  
OPT0253



### Acoustic signal driving backwards

Article number:  
OPT0254



### Tool/coupling box

Article number:  
OPT0014



### On/off switch machine

Article number:  
OPT0016

## Options T1000



### Radio remote control

*8-channel*

Article number:  
OPT0024-1



### Radio remote control T1000

*6 channel*

Article number:  
OPT0026-1



### Counterweight back T1000

Article number:  
OPT0043



### Front counterweight 30kg

Article number:  
OPT0044



### Push Bar

Article number:  
OPT0048



### hour counter complete

Article number:  
OPT0056



### Antistatic strip

Article number:  
OPT0058



### Code lock

Article number:  
OPT0068



### Document holder

Article number:  
OPT0127



### Preparation electric hook

Article number:  
OPT0143



### Ignition key unequal key

Article number:  
OPT0145



### Ignition key equal key

Article number:  
OPT0146

## Options T1000



### Ignition key under larger tiller head

*Unequal key. Only with OPT0171*

Article number:  
OPT0147



### Ignition key under larger tiller head

*Equal key. Only with OPT0171*

Article number:  
OPT0148



### Tillerhead limitation

Article number:  
OPT0169



### Customized programming

Article number:  
OPT0170



### Larger Tiller-Head

*With 6 switch positions*

Article number:  
OPT0171



### Programmer for Ital-sea

Article number:  
D0003



### Charger unit for 1 AGM battery

Article number:  
OPT0015



### Charging Station for 1 Lithium battery

Article number:  
OPT0023



### Charging station for 5 Lithium batteries

Article number:  
OPT0029



### Charging station for 5 batteries

Article number:  
OPT0039



### Frame for 4-wheel waste container

Article number:  
OPT0085



### U-Frame for waste container 1000/1100L

Article number:  
OPT0088

## Options T1000



**Charging Station for  
6 AGM Batteries**

Article number:  
OPT0115



**Locking module charging  
Station 6 units**

*Locking module charging  
Station with 6 units*

Article number:  
OPT0152



**Surcharge single  
charging station**

Article number:  
OPT0261



**Basic hook 15°**

Article number:  
H7010



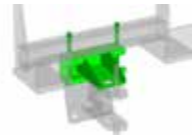
**Hook Straightener**

Article number:  
OPT0012



**Electric lifting modu-  
le for Hooks**

Article number:  
OPT0050



**Support for exchan-  
geable hook**

Article number:  
OPT0122



**Electrical locking mo-  
dule for hook**

Article number:  
OPT0129



**Basemodule, spring,  
bolt en counterplate**

Article number:  
OPT0202



**Locking Module ma-  
nual**

Article number:  
OPT0221



**Jacket Movexx size M**

Article number:  
OPT0197



**Jacket Movexx size L**

Article number:  
OPT0198



## Options T1000



**Jacket Movexx size XL**

Article number:  
OPT0199

---



**Movexx Parking label**

Article number:  
OPT0245

---



**Sticker Movexx Inside**

Article number:  
OPT0247

---

---

---

---

---

---

---

---

---

---



## Movexx International B.V.

Wiltonstraat 61-63

3905 KW Veenendaal

Tel +31 (0)318 51.99.00

Fax +31 (0)318 50.80.20

E-mail [info@movexx.nl](mailto:info@movexx.nl)