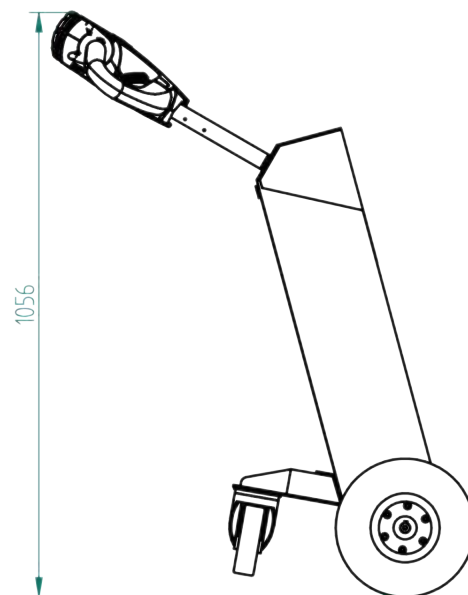
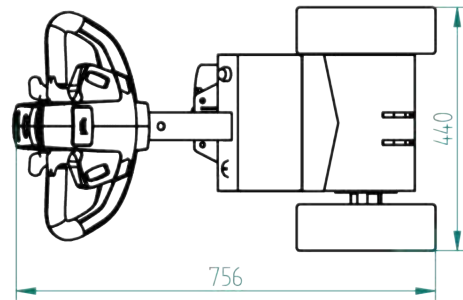




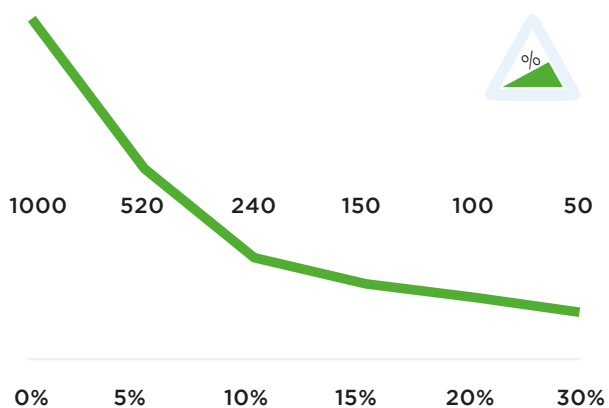
## Specifications T1000-BASIC

<b>Frame</b>	One layer of powder coating
<b>Drive</b>	24V DC, 300W, 100 rpm
<b>Weight</b>	43 kg (incl. battery)
<b>Weight trailer</b>	1000 kg
<b>Battery</b>	Built in
<b>Speed</b>	Max. 5 km/h, freely programmable
<b>Drive wheels</b>	Full rubber ø250x80 mm
<b>Width</b>	440mm
<b>Length</b>	756mm
<b>Adze height</b>	1056mm
<b>Folded</b>	N/A
<b>Noise level</b>	63,8 dB
<b>To use from</b>	-40 °C / 70 °C
<b>Protection class</b>	Machine IP44

## Dimensions T1000-BASIC



## Pulling power T1000-BASIC (in kg)



*\*Measured with a trolley with 2 swivelwheels and 2 fixed castors. Wheel diameter: 160mm*

## Standard T1000-BASIC



## Standard parts T1000-BASIC

**LED battery indicator  
LBF318-24V**



Item number:  
M0123

**Battery charger 24V-  
5A built-in with exte**



Item number:  
M0246

**Full-rubber drive  
wheel, black**



Item number:  
M0248

**Safety switch**



Item number:  
Standardpart 2

**2 programmable  
speeds**



Item number:  
Standardpart 3

## Standard parts T1000-BASIC

**Motor T1000, without  
brake**



Item number:  
M1032

**Battery 12V 20 Ah**



Item number:  
M0076

## Options T1000-BASIC



**SURCHARGE Engine  
420W-140RPM+BRA-  
KE**

Article number:  
OPT0030



**SURCHARGE Engine  
530W-170RPM+BRA-  
KE**

Article number:  
OPT0031



**SURCH driving wheel  
airtire nonmark GREY**

*SURCHARGE driving  
wheel airtire non-marking  
GREY*

Article number:  
OPT0156



**SURCH drive wheel  
airtire foamed 2b  
BLAC**

Article number:  
OPT0158



**SURCH driving wheel  
full rubber nm GREY**

Article number:  
OPT0161



**SURCHARGE driving  
wheel non-marking  
YELL**

Article number:  
OPT0163



**Surcharge Drive  
wheel Ø300 Rubber  
Nonm.**

Article number:  
OPT0256



**Electromagnetic par-  
kingbrake T1000**

Article number:  
OPT0004



**Horn with control on  
bellybutton**

Article number:  
OPT0049



**Horn 103 dB**

Article number:  
OPT0059



**Emergency stop  
complete**

Article number:  
OPT0063



**Strobelight**

Article number:  
OPT0065

## Options T1000-BASIC



### Bellybutton 2-step reset

*After bellybutton use off/on switch is necessary*

Article number:  
OPT0168



### Acoustic signal while driving

Article number:  
OPT0253



### Acoustic signal driving backwards

Article number:  
OPT0254



### Tool/coupling box

Article number:  
OPT0014



### On/off switch machine

Article number:  
OPT0016



### Remote

*8-channel*

Article number:  
OPT0024-5



### Radio remote

*6-channel*

Article number:  
OPT0026-5



### Front counterweight 30kg

Article number:  
OPT0044



### Push Bar

Article number:  
OPT0048



### Document holder with clip

Article number:  
OPT0053



### hour counter complete

Article number:  
OPT0056



### Horn 90dB

Article number:  
OPT0057

## Options T1000-BASIC

### Antistatic strip



Article number:  
OPT0058

### Code lock



Article number:  
OPT0068

### Preparation electric hook



Article number:  
OPT0143

### Ignition key unequal key



Article number:  
OPT0145

### Ignition key equal key



Article number:  
OPT0146

### Ignition key under larger tiller head



*Unequal key. Only with  
OPT0171*

Article number:  
OPT0147

### Ignition key under larger tiller head



*Equal key. Only with  
OPT0171*

Article number:  
OPT0148

### Customized programming



Article number:  
OPT0170

### Larger Tiller-Head



*With 6 switch positions*

Article number:  
OPT0171

### Programmer for Ital-sea



Article number:  
D0003

### Frame for 4-wheel waste container



Article number:  
OPT0085

### U-Frame for waste container 1000/1100L



Article number:  
OPT0088

## Options T1000-BASIC

### Basic hook 15°



Article number:  
H7010

### Hook Straightener



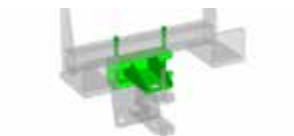
Article number:  
OPT0012

### Electric lifting module for Hooks



Article number:  
OPT0050

### Support for exchangeable hook



Article number:  
OPT0122

### Electrical locking module for hook



Article number:  
OPT0129

### Handle bar locking module



*Voor machines met een  
disselkopsteun uit vier-  
kante buis*

Article number:  
OPT0189

### Basemodule, spring, bolt en counterplate



Article number:  
OPT0202

### Locking Module manual



Article number:  
OPT0220

### Jacket Movexx size M



Article number:  
OPT0197

### Jacket Movexx size L



Article number:  
OPT0198

### Jacket Movexx size XL



Article number:  
OPT0199

### Movexx Parking label



Article number:  
OPT0245

## Options T1000-BASIC



Sticker Movexx Inside

Article number:  
OPT0247

---

---

---

---

---

---

---

---

---

---

---

---

---

---

---

---

---

---

---

---





**Movexx International B.V.**

Wiltonstraat 61-63

3905 KW Veenendaal

Tel +31 (0)318 51.99.00

Fax +31 (0)318 50.80.20

E-mail [info@movexx.nl](mailto:info@movexx.nl)